

DISC-LOCK

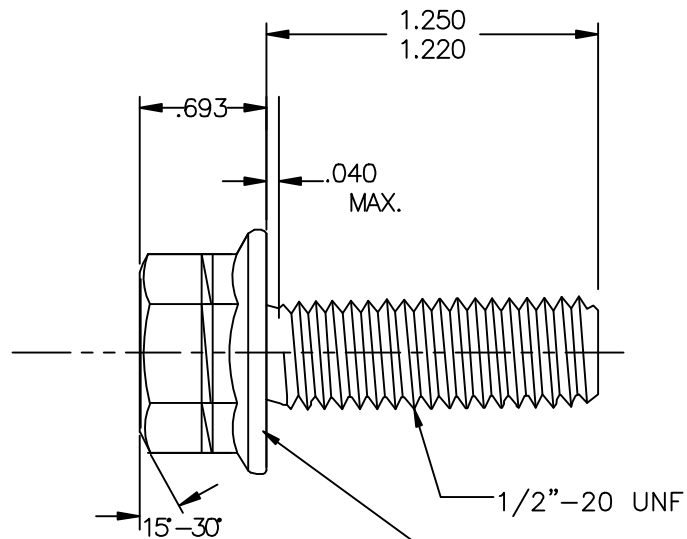
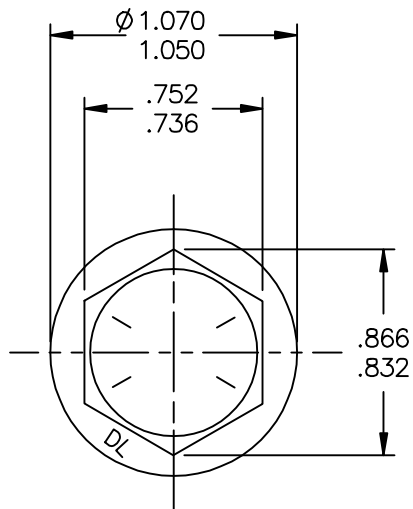
DWG NO: BSF-303-125-567

NAME: **1/2"-20 x 1.25" DISC-LOCK Bolt**

DISC-LOCK Inc.

06-11-09

PART NO: BSF-305-125-567



HEX FLANGE WASHER
MUST BE FREE TO ROTATE
AFTER ROLL THREADING

MATERIAL: SAE GRADE 8

HEAT TREAT: RC 34-38

COATING: MAGNI 567

DRAWING: NOT TO SCALE

DIMENSIONS: ALL IN INCHES